


**2-way Open/Close Ball Valves DN65...150**  
**Open/Close control in cold and hot water circuits**
**Applications**
**For Open/Close cold and hot water circuits in heating and ventilation systems on the water side.**

**Technical data**

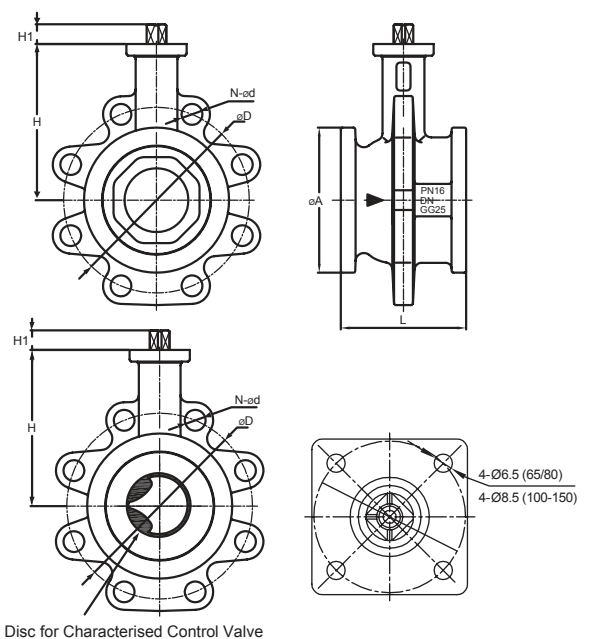
Flow medium	Cold and hot water, water with max. 50% volume of glycol	
Temp. of medium	-5...+100°C	
Rated pressure	1600kPa	
Leakage rate	0...0.01% Kvs (ANSI Class IV) (No leakage when ex-factory)	
Pipe connector	Flanged ISO 7005-2	
Differential pressure $\Delta P_{max}$	DN65...125	350kPa (200kPa for low-noise operation)
	DN150	250kPa
Close-off pressure $\Delta P_s$	DN65...125	700kPa
	DN150	400kPa
Angle of rotation	90°	
Installation position	Upright to horizontal (in relation to the stem)	
Maintenance	Maintenance-free	
<b>Valve Material</b>		
Body	GG25, Polyester coated	
Ball	Stainless steel	
Seat	DN65...125 RPTFE DN150 TFM1600	
Shaft	Stainless steel	
O-ring	EPDM	

**Product features**

**Mode of Operation** The Open/Close Ball Valve is operated by a Rotary Actuator. The Rotary Actuator is controlled by an Open/Close signal.

**Dimensions [mm]**
**Dimensional drawings**

Valve type	DN		Dimensions[mm]						Weight [kg]
	mm	In	$\varnothing A$	$\varnothing D$	H	H1	L	N- $\varnothing d$	
R664AO/R665AO	65	2½"	105	145	128.0	12.0	93.0	4-18	4.8
R679AO/R680AO	80	3"	125	160	134.5	12.0	108.0	8-18	7.2
R6099AO/R6100AO	100	4"	148	180	144.0	15.5	120.0	8-18	10.5
R6124AO/R6125AO	125	5"	174	210	158.0	15.5	142.0	8-18	14
R6149AO/R6150AO	150	6"	204	240	176.5	15.5	170.0	8-22	21



Disc for Characterised Control Valve